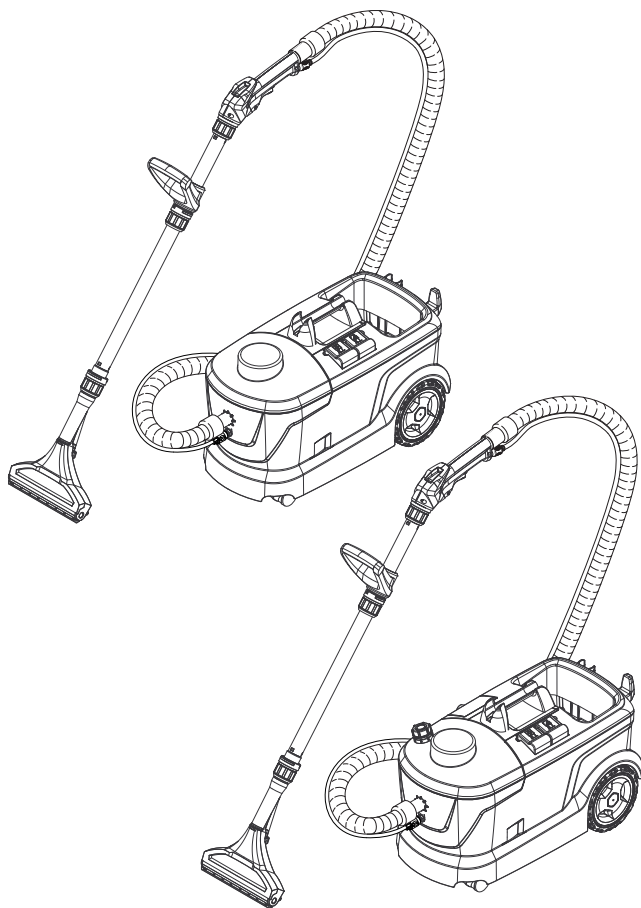


Puzzi 10/1
Puzzi 10/2 Adv



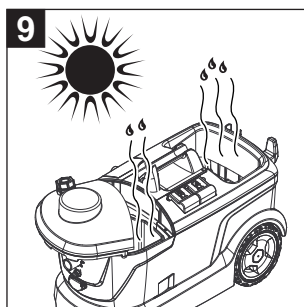
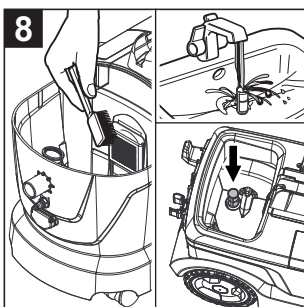
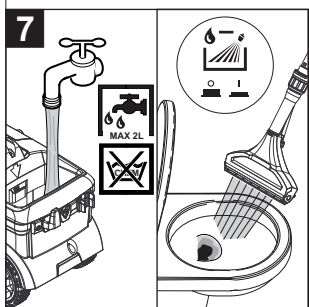
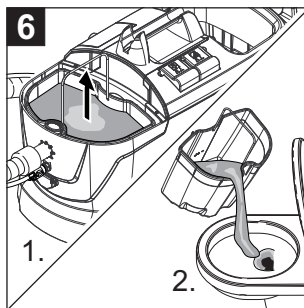
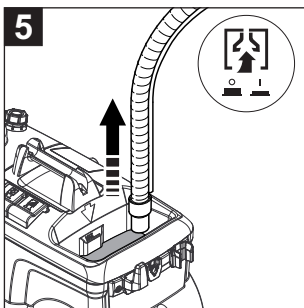
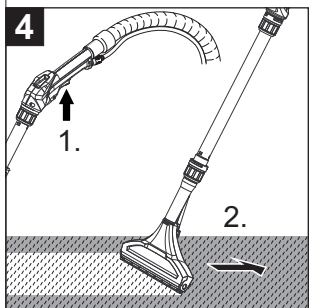
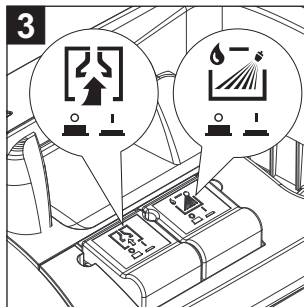
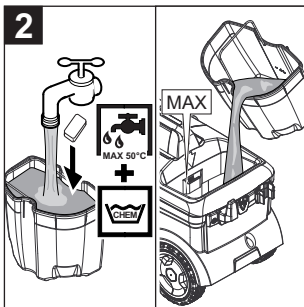
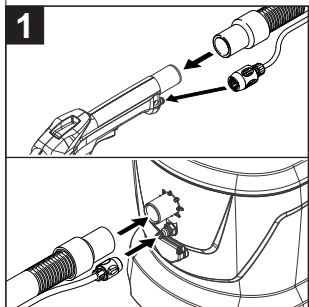
English	4
Français	13
Español	22

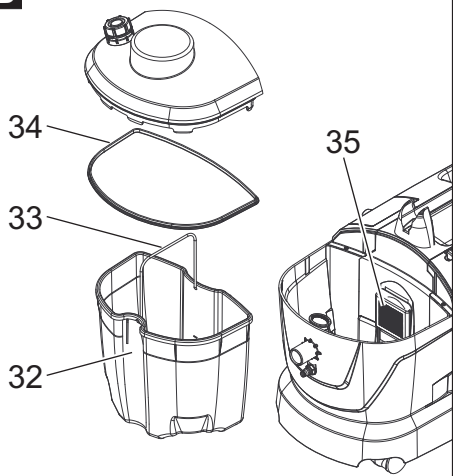
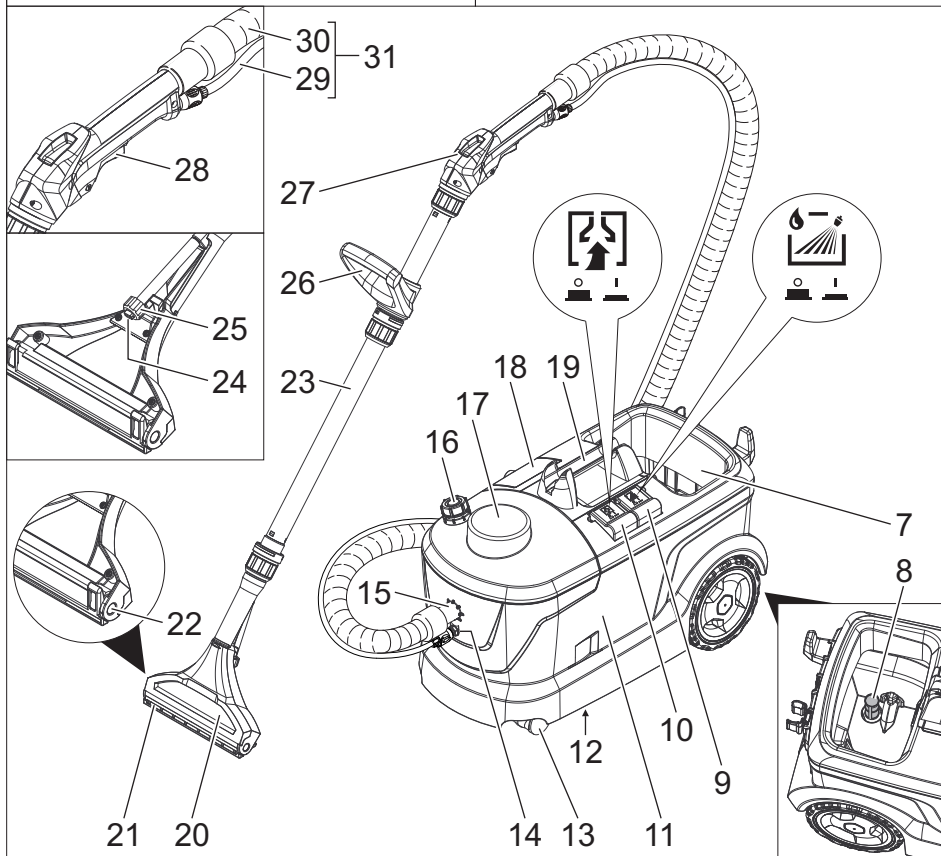
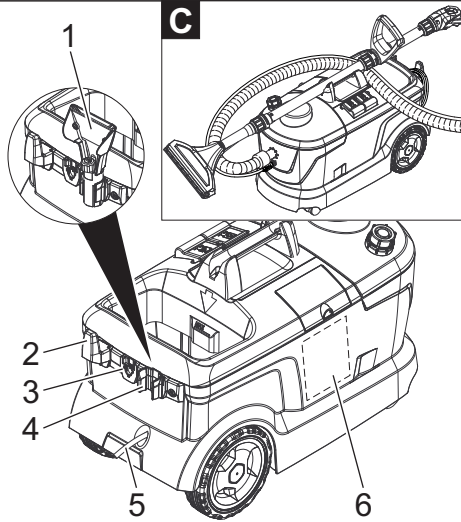


Register and win!
www.kaercher.com/register-and-win



A



B**C**

IMPORTANT SAFETY INSTRUCTIONS

READ ALL INSTRUCTIONS BEFORE USING THIS MACHINE

- Inform your dealer immediately if there is any shipping damage.
- Completely remove the accessories from the box.
- The machine is not suitable for sucking up hazardous dusts as asbestos. Please consult your Kärcher branch or your Kärcher dealer with regard to such applications.
- Only operate the appliance from a grounded outlet. Refer to the Technical data for the necessary main fuse.

When using an electrical machine, basic precautions should always be followed, including the following: This appliance is intended for commercial use.

- 1 DISCONNECT APPLIANCE FROM POWER CIRCUIT before removing the cover, performing maintenance work, and when not in use.
- 2 DO NOT LEAVE the machine unattended when plugged in.
- 3 ALWAYS CHECK THE POWER SUPPLY CORD for damage or signs of any aging before each use.
- 4 DO NOT PULL OR CARRY APPLIANCE BY CORD. Do not use cord as a handle. Keep cord away from heated surfaces or fire. Do not close door on cord or pull cord around sharp edges.
- 5 KEEP CORD AWAY FROM HEAT AND OIL. Do not leave cord lying around after job is complete. It can become a tripping hazard.
- 6 DO NOT RUN MACHINE OVER CORD.
- 7 TURN SWITCH TO OFF before unplugging power supply cord.
- 8 DO NOT UNPLUG BY PULLING CORD. To unplug, grasp plug, not cord.
- 9 DO NOT GRASP PLUG WITH WET HANDS.

- 10 A DAMAGED CORD OR PLUG should only be replaced by an authorized service center representative. DO NOT ATTEMPT TO REPAIR POWER CORD.
- 11 TO AVOID SHOCK, do not expose to rain. Store indoors.
- 12 USE ONLY AS RECOMMENDED BY THIS MANUAL. Use only with recommended attachments.
- 13 KEEP HAIR, CLOTHING, LOOSE JEWELRY, FINGERS and all parts of the body away from openings and moving parts.
- 14 DO NOT BLOCK OR OBSTRUCT OPENINGS. Keep openings free of lint, hair, dust, and anything that restricts air flow.
- 15 DO NOT PICK UP ANYTHING THAT IS BURNING, smoldering, or smoking such as matches, cigarettes, or hot ashes.
- 16 DO NOT USE TO VACUUM COMBUSTIBLE EXPLOSIVE MATERIALS, such as coal, grain, and other finely divided combustible material.
- 17 DO NOT USE TO VACUUM COMBUSTIBLE, hazardous, toxic, or carcinogenic materials, including gasoline, diesel fuel, acetone, paint thinner, heating oils, undiluted acids and solvents, pesticide, and asbestos.
- 18 DO NOT ALLOW THE APPLIANCE TO BE USED AS A TOY. Keep children away.
- 19 DO NOT LEAVE UNATTENDED while Machine is running.
- 20 DO NOT USE IF CORD, PLUG OR MACHINE IS IN POOR CONDITION. If the Appliance has been dropped, damaged, exposed to weather, or dropped into water; have it checked by an authorized service.
- 21 ALWAYS USE EYE PROTECTION when operating the machine.
- 22 USE EXTRA CAUTION when operating on stairs.
- 23 STAY ALERT! Do not use the machine when you are tired or under the influence of drugs, alcohol or medication.

- 24 Do not use to pick up flammable or combustible liquids, such as gasoline, or use in areas where they may be present.
- 25 To Reduce the Risk of Fire, do not use a flammable or combustible liquid to clean a floor.
- 26 This appliance is provided with a double insulation. Use only identical replacement parts. See instructions for Servicing of Double-Insulated Appliances.

SAVE THESE INSTRUCTIONS

This appliance is intended for commercial use.

SAFETY INSTRUCTIONS

Servicing of double-insulated machines

DOUBLE INSULATION	
-------------------	---

In a double-insulated machine, two systems of insulation are provided instead of grounding. No grounding means is provided on a double-insulated machine, nor should a means for grounding be added to the machine. Servicing a double-insulated machine requires extreme care and knowledge of the system, and should be done only by qualified service personnel. Replacement parts for a double-insulated machine must be identical to the parts they replace.



Please read and comply with these original instructions prior to the initial operation of your appliance and store them for later use or subsequent owners.

- The non-compliance of the operating and safety instructions may lead to damages of the appliance and to dangers for the operator and other persons.
- In case of transport damage inform vendor immediately

Contents

Environmental protection	EN . . . 1
Symbols in the operating instructions	EN . . . 1
Proper use	EN . . . 1
Overview	EN . . . 2
Start up	EN . . . 2
Operation	EN . . . 3
Cleaning methods	EN . . . 4
Transport	EN . . . 4
Storage	EN . . . 5
Maintenance and care	EN . . . 5
Troubleshooting	EN . . . 5
Accessories and Spare Parts	EN . . . 5
Warranty	EN . . . 6
Technical specifications	EN . . . 7

Environmental protection

	The packaging material can be recycled. Please do not throw the packaging material into household waste; please send it for recycling.
	Old appliances contain valuable materials that can be recycled; these should be sent for recycling. Batteries, oil, and similar substances must not enter the environment. Please dispose of your old appliances using appropriate collection systems.

Notes about the ingredients (REACH)

You will find current information about the ingredients at:

www.kaercher.com/REACH

Symbols in the operating instructions

Danger

Immediate danger that can cause severe injury or even death.

Warning

Possible hazardous situation that could lead to severe injury or even death.

Caution

Possible hazardous situation that could lead to mild injury to persons or damage to property.

Proper use

This device is intended for commercial use as a wet cleaning device for carpets as depicted in these operating instructions as well as in the descriptions and safety notes in the enclosed brochure "Safety indications for brush cleaning devices and spray extraction devices".

Overview

Quick start instructions

Illustration A

- 1 Connect spray/suction hose to the elbow,
Connect spray/suction hose to the appliance
- 2 Prepare cleaning solution,
Fill up the fresh water tank
- 3 Select operating mode
- 4 Cleaning
- 5 Empty the fresh water tank
- 6 Empty wastewater container
- 7 Fill fresh water tank (without detergent),
Flush appliance
- 8 Clean lint trap,
Clean fresh water sieve
- 9 Allow appliance to dry

Device elements

Illustration B

- 1 Hand nozzle for upholstery cleaning
(Puzzi 10/1 only)
- 2 Cable hook
- 3 Adapter for accessories (homebase)
- 4 Holder for accessories
- 5 Power cord
- 6 Quick start instructions
- 7 Fresh water tank
- 8 Fresh water sieve
- 9 Switch for spraying
- 10 Switch for vacuuming
- 11 Casing
- 12 Nameplate
- 13 Steering roller
- 14 Spray hose connection
- 15 Suction hose connection
- 16 Container for defoaming agent (Puzzi 10/2 Adv only)
- 17 Cover
- 18 Storage compartment for detergent tabs (Puzzi 10/2 Adv only)
- 19 Carrying handle of the appliance
- 20 Floor nozzle for carpet cleaning
- 21 Carpet adapter
- 22 Unlocking device of the floor nozzle
- 23 Suction pipe

- 24 Nozzle mouth piece
- 25 Union joint
- 26 Handle
- 27 Bender
- 28 Lever on the manifold
- 29 Spray hose
- 30 Suction hose
- 31 Spray/suction hose
- 32 Dirt water reservoir, detachable
- 33 Carrying handle of the wastewater container
- 34 Seal on the lid
- 35 Fluff filter

Start up

- Check high power cable, extension cables and hoses for damage every time before use.

Attaching the Accessories

- Attach the suction pipe to the floor nozzle and hand-tighten the union nut on the floor nozzle.
- If required, slide the handle onto the suction pipe and hand-tighten it in the desired position.
- Place the elbow over the suction pipe and tighten the union joint on the elbow fingertight.
- Insert the suction hose into the suction hose connection on the appliance. Attach the coupling of the spray hose to the spray hose connection of the appliance and snap in place.
- Connect the suction hose to the elbow. Connect the coupling of the spray hose with the manifold and snap in place.

Prepare cleaning solution

⚠ Warning

Health risk, risk of damage. Observe all indications on the detergent used.

- Mix fresh water and detergent in a clean container (use the concentration recommended for the detergent). Dissolve detergent in the water.

Note: Warm water (max. 122°F/50°C) will increase the cleaning effect. Verify the temperature resistance of the surface to be cleaned.

Note: For considerate treatment of the environment use detergent economically.

Fill up fresh water reservoir

- Fill detergent solution into the fresh water reservoir. The fill level must not exceed the "MAX" mark.

Defoaming agent

Note: When cleaning previously shampooed carpets, foam is generated in the wastewater container. This formation of foam can be prevented by adding a defoaming agent.

Puzzi 10/1 only:

- Put defoaming agent (optional accessory) into the wastewater container.

Puzzi 10/2 Adv only:

- Open container for defoaming agent.
- Fill in defoaming agent (optional accessory).

Replacing the carpet adapter

- Push the unlocking device of the floor nozzle on one side.
- Swivel out and remove the carpet adapter.
- Insert a new carpet adapter and snap the locking device in place.

Operation

Turning on the Appliance

- Plug in the main plug.
- Press the suction switch to turn on the suction turbine.
- Press the spray switch to switch on the spray pump.

Cleaning

Caution

Risk of damage. Check the object to be cleaned prior to using the appliance in an inconspicuous place for colour fastness and water resistance.

- Operate the lever on the manifold in order to spray the cleaning solution.
- Run across the surface to be cleaned in overlapping paths. Pull the nozzle backwards (do not push).
- In case of work interruptions, the floor nozzle can be stored in the handle.

Turn off the appliance

- Switch off the spray and suction switches.
- Pull out the mains plug.

Empty wastewater container

- If the dirt water reservoir is full, switch off the suction and spray switches.
- Remove the lid.
- Remove the wastewater container from the appliance and drain it.

Empty the fresh water reservoir

- Turn off the appliance.
- Shortly activate the lever on bender to decrease the pressure.
- Separate bender from the spray/suction hose.
- Insert the suction hose into the fresh water reservoir.
- Press the suction switch to turn on the suction turbine.
- Empty the fresh water reservoir and switch the appliance off.
- Remove the lid.
- Remove the wastewater container from the appliance and drain it.

Flush appliance

- Connect the manifold (with suction pipe and nozzle) to the suction hose.
- Connect the coupling of the spray hose with the manifold and snap in place.
- Fill approx. 0.5 gal (2 litres) of fresh water into the fresh water reservoir.
- Do not add any detergents.**
- Press the spray switch to switch on the spray pump.
- Hold floor nozzle over a drain.
- Activate lever on bender and flush the appliance for appr. 1 to 2 minutes.
- Turn off the appliance.

After each operation

- Flush appliance.
- Empty the wastewater container and clean it under running water.
- Empty the fresh water reservoir.
- Clean the outside of the appliance with a damp cloth.
- Remove all water from the appliance prior to longer periods of non-use to avoid offensive odours.
- Allow appliance to dry thoroughly: Remove or move lid sideways.

Storing the Appliance

- Place the appliance in a dry room and secure it from unauthorized use.

Cleaning methods

Normal soiling

- Spray and suction off detergent solution in one work cycle.

Note: Repeated suctioning without spraying will shorten the drying time.

Strong soiling or stains

- Apply detergent solution with suction turbine turned off and soak for 10 to 15 minutes.
- Clean the surface just like with normal soiling.
- In order to further improve the cleaning result, the surface can be recleaned using clear, warm water.

Upholstery cleaning

- Puzzi 10/1 only:
Attach hand nozzle instead of the floor nozzle.
- With sensitive materials, use less detergent and spray the surface at a distance of approx. 7.9 in (200 mm). Then simply vacuum off.

Cleaning tips

- Highly soiled spots should be pre-soaked and the detergent solution should soak 5 to 10 minutes.

- Always work from the light to the shade (from the window to the door).
- Always work from the cleaned to the uncleaned surface.
- The more sensitive the surface (oriental rugs, berbers, upholstery material) the lower the cleaning solution concentration should be.
- Rugs with jute backing can shrink if too much water is used and can bleed colours.
- Brush high-fiber rugs in the direction of the weave after cleaning (using a fiber brush or a scrubber).
- Water-proofing the fabric using Care Tex RM 762 after the wet cleaning prevents a quick resoiling of the textile surface.
- Do not step on cleaned surfaces until they have dried and do not place furniture on them to avoid pressure spots or rust stains.

Detergent

Carpet and upholstery cleaning	RM 760 powder
	RM 760 tabs
	RM 764 liquid
Defoaming	RM 761
Waterproofing carpets	RM 762

For further information, please request product information sheet and EU safety data sheet of the relevant detergent.

Transport

Caution

Risk of injury and damage! Observe the weight of the appliance when you transport it.

Illustration 

- For transport, place suction pipe on the carrying handle and place the spray/suction hose on top of the appliance. Wind up the mains cable and hook it into the cable hook.
- When transporting in vehicles, secure the appliance according to the guidelines from slipping and tipping over.

Storage

Caution

Risk of injury and damage! Note the weight of the appliance in case of storage.

This appliance must only be stored in interior rooms.

Maintenance and care

⚠ Danger

Danger of injury by electric shock.

First pull out the plug from the mains before carrying out any tasks on the machine.

Clean the fluff filter

- Remove the lid.
- Remove the wastewater container from the appliance.
- Regularly clean the lint trap using a brush.

Cleaning the fresh water sieve

- Unscrew the fresh water sieve.
- Regularly clean the fresh water sieve under running water.

Cleaning the nozzle

- Unscrew the covering nut.
- Clean nozzle mouthpiece.

Troubleshooting

⚠ Danger

- *Danger of injury by electric shock. First pull out the plug from the mains before carrying out any tasks on the machine.*
- *Get the electrical components checked and repaired only by authorised customer service persons.*

Appliance is not working

- Check the receptacle and the fuse of the power supply.
- Check the power cable and the power plug of the device.
- Turn on the appliance.

No water exiting from nozzle

- Fill up fresh water reservoir.
- Check the couplings on the spray hose for proper seating.
- Clean or replace nozzle tip.
- Clean the sieve in the fresh water reservoir.
- Spray pump defective, contact after-sales service.

Spray stream one-sided

- Clean nozzle mouthpiece.

Insufficient vacuum performance

- Check the correct positioning of the lid.
- Clean seal on lid and surface on the appliance.
- Clean the fluff filter.
- Check suction hose for blockages; clean if required.

Spray pump loud

- Fill up fresh water reservoir.

Heavy formation of foam in the wastewater container

- Add the defoaming agent into the wastewater container or fill up the container for the defoaming agent.

Customer Service

If malfunction can not be fixed, the device must be checked by customer service.


Accessories and Spare Parts

- Only use accessories and spare parts which have been approved by the manufacturer. The exclusive use of original accessories and original spare parts ensures that the appliance can be operated safely and trouble free.
- At the end of the operating instructions you will find a selected list of spare parts that are often required.
- For additional information about spare parts, please go to the Service section at www.kaercher.com.

Warranty

The warranty terms published by the relevant sales company are applicable in each country. We will repair potential failures of your appliance within the warranty period free of charge, provided that such failure is caused by faulty material or defects in manufacturing. In the event of a warranty claim please contact your dealer or the nearest authorized Customer Service centre. Please submit the proof of purchase.

Technical specifications

		Puzzi 10/1	Puzzi 10/2 Adv
Mains voltage	V	120	120
Frequency	Hz	1~ 60	1~ 60
Type of protection	--	IPX4	IPX4
Protective class		II	II
Rated current	A	9	9
Air volume (max.)	CFM (l/s)	114 (54)	114 (54)
Negative pressure (max.)	mm (kPa)	2240 (22.0)	2240 (22.0)
Spray pump performance	W	40	80
Spray pressure	psi (MPa)	14.5 (0.1)	29.0 (0.2)
Spray pressure (max.)	psi (MPa)	43.5 (0.3)	43.5 (0.3)
Spray volume	gal/min (l/min)	0.26 (1)	0.53 (2)
Temperature of the cleaning solution (max.)	°F (°C)	122 (+50)	122 (+50)
Filling quantity of fresh water	gal (l)	2.6 (10)	2.6 (10)
Fill volume wastewater	gal (l)	2.4 (9)	2.4 (9)
Length x width x height	in (mm)	27.8 x 12.5 x 17.0 (705 x 320 x 435)	27.8 x 12.5 x 17.0 (705 x 320 x 435)
Typical operating weight	lbs (kg)	23.6 (10.7)	25.1 (11.4)
Max. ambient temperature	°F (°C)	104 (+40)	104 (+40)
Values determined to EN 60335-2-68			
Sound pressure level L _{pA}	dB(A)	73	73
Uncertainty K _{pA}	dB(A)	1	1

Power cord	SJTW 2/16 AWG	
	Part no.:	Cable length
CUL	6.647-967.0	25 ft (7.5 m)

CONSIGNES DE SÉCURITÉ IMPORTANTES

OBSERVEZ LES POINTS SUIVANTS AVANT LA MISE EN SERVICE DE L'APPAREIL

- En cas de dommages dus au transport, veuillez en informer immédiatement votre revendeur.
- Sortir tous les accessoires du carton.
- L'appareil ne convient pas pour aspirer des poussières nocives comme p. ex. l'amiante. Pour de telles applications, veuillez vous adresser à votre représentation Kärcher ou à votre revendeur Kärcher.
- N'utiliser l'appareil que s'il est raccordé à une prise reliée à la terre. Se reporter aux caractéristiques techniques au sujet du fusible principal nécessaire.

Il convient de toujours respecter les consignes de sécurité de base lors de l'utilisation d'un appareil électrique. En d'autres termes : Cet appareil est destiné à une utilisation commerciale.

- 1 DEBRANCHER L'APPAREIL DE L'ALIMENTATION ELECTRIQUE avant de retirer le cache, effectuer des opérations d'entretien ou lorsque l'appareil n'est pas utilisé.
- 2 Ne laissez pas l'appareil sans surveillance tant qu'il est branché.
- 3 TOUJOURS VÉRIFIER QUE LE CORDON D'ALIMENTATION n'est ni vieilli, ni abîmé, avant chaque usage.
- 4 NE PAS TIRER OU PORTER L'APPAREIL PAR LE CABLE. Ne pas se servir du câble comme d'une poignée. Tenir le cordon à l'écart des surfaces chaudes ou des flammes. Ne pas fermer de porte sur le câble, ni le passer autour des angles saillants.
- 5 NE PAS METTRE LE CORDON À LA CHALEUR OU DANS DE L'HUILE. Ne pas laisser le cordon traîner par terre après la fin du travail. Il pourrait provoquer une chute.
- 6 NE PAS ECRASER LE CABLE AVEC LES ROUES D'UNE MACHINE.
- 7 METTRE L'INTERRUPTEUR SUR avant de débrancher l'appareil.
- 8 NE PASTIRER SUR LE CORDON POUR DÉBRANCHER l'appareil. Tirer sur la prise.
- 9 NE PAS SAISIR LA PRISE AVEC DES MAINS MOUILLÉES.
- 10 SI LE CORDON OU LA PRISE EST ABÎMÉ, le faire remplacer par un agent d'un centre de service agréé uniquement. NE PAS ESSAYER DE RÉPARER SOI-MÊME.
- 11 POUR ÉVITER TOUT CHOC ÉLECTRIQUE, ne pas laisser l'appareil sous la pluie. Le stocker à l'intérieur.
- 12 N'UTILISER L'APPAREIL QUE COMME IL EST CONSEILLÉ DANS CE MODE D'EMPLOI. Utiliser exclusivement les accessoires recommandés.
- 13 ÉLOIGNER LES CHEVEUX, LES VÊTEMENTS, LES BIJOUX FLOTTANTS, LES DOIGTS et toutes les parties du corps des ouvertures et des pièces mobiles.
- 14 NE PAS FERMER OU OBSTRUER LES OUVERTURES. Enlever les peluches, cheveux, poussières et tout ce qui pourrait gêner le passage de l'air.
- 15 NE PAS AGRÉER D'OBJETS EN FEU, rougissants ou dégageant de la fumée tels que des allumettes, des cigarettes ou des cendres chaudes.
- 16 NE PAS ASPIRER DE MATÉRIAUX COMBUSTIBLES EXPLOSIFS, tels que charbon, grains et autres matériaux combustibles finement divisés.
- 17 NE PAS ASPIRER DE MATÉRIAUX COMBUSTIBLES, dangereux, toxiques ou cancérigènes comme l'essence, le gas-oil, l'acétone, les diluants à peinture, le fuel domestique, les acides et les solvants non dilués, les pesticides et l'amiante.
- 18 NE PAS LAISSER D'ENFANTS JOUER AVEC L'APPAREIL. Tenir les enfants à l'écart.


- 19 NE PAS LAISSER SANS SURVEILLANCE tant que la machine fonctionne.
- 20 NE PAS UTILISER SI LE CABLE, LA FICHE OU LA MACHINE SONT ENDOMMAGES. Si l'appareil est tombé, a été endommagé, exposé aux intempéries ou immergé dans l'eau, le faire vérifier par un service autorisé.
- 21 OUVREZ UTILISER DES PROTECTIONS OCULAIRES lors de l'utilisation de la machine.
- 22 REDOUBLER DE PRUDENCE pour l'utilisation dans un escalier.
- 23 RESTER VIGILANT ! Ne pas utiliser la machine en état de fatigue ou sous l'influence de drogues, d'alcool ou de médicaments.
- 24 Ne pas aspirer de liquides inflammables ou combustibles, tels que de l'essence avec l'appareil. Ne pas utiliser ce dernier dans des zones susceptibles de contenir de tels produits.
- 25 Pour réduire le risque d'incendie, ne pas se servir d'un liquide combustible ou inflammable pour nettoyer les planchers.
- 26 Cet appareil est fourni avec une isolation double. Utiliser uniquement des pièces de rechange d'origine. Consulter les instructions pour l'entretien des appareils à double isolation.

CONSERVER CES CONSIGNES

Cet appareil est destiné à une utilisation commerciale.

CONSIGNES DE SÉCURITÉ

Entretien des appareils à double-isolation

DOUBLE ISOLATION	
------------------	--

Dans un appareil à double isolation, deux isolations distinctes remplacent la mise à la terre. L'appareil à double isolation n'est pourvu d'aucun dispositif de mise à la terre et un tel dispositif ne doit pas être ajouté. L'entretien d'un appareil à double isolation demande beaucoup de soins ainsi qu'une bonne connaissance du système et net devrait être effectué que par un technicien d'entretien qualifié. Les pièces de rechange d'un appareil à double isolation doivent être identiques aux pièces originales.



Lire ce manuel d'utilisation original avant la première utilisation de votre appareil, le respecter et le conserver pour une utilisation ultérieure ou pour le futur propriétaire.

- En cas de non-respect des instructions de service et des consignes de sécurité, l'appareil risque de subir des dommages matériels et l'utilisateur ainsi que toute tierce personne sont exposés à des dangers potentiels.
- Contactez immédiatement le revendeur en cas d'avarie de transport.

Table des matières

Protection de l'environnement . FR . . .	1
Symboles utilisés dans le mode d'emploi FR . . .	1
Utilisation conforme FR . . .	1
Aperçu général FR . . .	2
Mise en service FR . . .	2
Utilisation FR . . .	3
Méthodes de nettoyage FR . . .	4
Transport FR . . .	5
Entreposage FR . . .	5
Entretien et maintenance FR . . .	5
Assistance en cas de panne . . FR . . .	5
Accessoires et pièces de rechange FR . . .	6
Garantie FR . . .	6
Caractéristiques techniques . . . FR . . .	7

Protection de l'environnement



Les matériaux constitutifs de l'emballage sont recyclables. Ne pas jeter les emballages dans les ordures ménagères, mais les remettre à un système de recyclage.



Les appareils usés contiennent des matériaux précieux recyclables lesquels doivent être apportés à un système de recyclage. Il est interdit de jeter les batteries, l'huile et les substances similaires dans l'environnement. Pour cette raison, utiliser des systèmes de collecte adéquats afin d'éliminer les appareils hors d'usage.

Instructions relatives aux ingrédients (REACH)

Les informations actuelles relatives aux ingrédients se trouvent sous :

www.kaercher.com/REACH

Symboles utilisés dans le mode d'emploi

Danger

Pour un danger immédiat qui peut avoir pour conséquence la mort ou des blessures corporelles graves.

Avertissement

Pour une situation potentiellement dangereuse qui peut avoir pour conséquence des blessures corporelles graves ou la mort.

Attention

Pour une situation potentiellement dangereuse qui peut avoir pour conséquence des blessures légères ou des dommages matériels.

Utilisation conforme

Cet appareil d'extraction par pulvérisation est destiné à une utilisation professionnelle en tant qu'appareil de lavage humide pour les moquettes, conformément aux descriptions et consignes de sécurité des présentes instructions de service et des consignes de sécurité pour les appareils de nettoyage à brosse et les appareils d'extraction par pulvérisation.

Aperçu général

Instructions de démarrage rapide

Illustration A

- 1 Raccorder le flexible de vaporisation / d'aspiration au coude, Raccorder le flexible de vaporisation / d'aspiration sur l'appareil.
- 2 Mettre la solution de nettoyage, Remplir le réservoir d'eau propre
- 3 Sélectionner le mode de fonctionnement
- 4 Nettoyage
- 5 Vider le réservoir d'eau propre
- 6 Vidanger le réservoir d'eau sale
- 7 Remplir le réservoir d'eau propre (sans détergent), Rincer l'appareil
- 8 Nettoyer le filtre anti-peluches, Nettoyer le filtre d'eau du robinet
- 9 Laisser sécher l'appareil

Éléments de l'appareil

Illustration B

- 1 Suceur à main pour nettoyage de meubles capitonnés et surfaces textiles (uniquement Puzzi 10/1)
- 2 Crochet de câble
- 3 adaptateur pour les accessoires (Homebase)
- 4 Support pour accessoires
- 5 Câble d'alimentation
- 6 Instructions de démarrage rapide
- 7 Réservoir d'eau propre
- 8 Filtre à eau propre
- 9 Commutateur vaporiser
- 10 Commutateur aspirer
- 11 Boîtier
- 12 Plaque signalétique
- 13 Roues directionnelles
- 14 raccord du flexible d'aspersion
- 15 Raccord de flexible d'aspiration
- 16 Réservoir d'agent antimousse (uniquement Puzzi 10/2 Adv)
- 17 Capot
- 18 Compartiment de rangement pour détergent en pastilles (uniquement Puzzi 10/2 Adv)

- 19 Poignée de transport de l'appareil
- 20 Buse de sol pour le nettoyage de tapis
- 21 adaptateur pour tapis
- 22 verrouillage de la buse pour sol
- 23 Tuyau d'aspiration
- 24 Nez de buse
- 25 Écrou chapeau
- 26 Poignée
- 27 Coude
- 28 Levier sur le coude
- 29 Flexible de vaporisation
- 30 Flexible d'aspiration
- 31 Flexible de pulvérisation / aspiration
- 32 Réservoir d'eau sale, amovible
- 33 poignée de transport du réservoir d'eau sale
- 34 Joint sur le couvercle
- 35 Crible à peluches

Mise en service

- Contrôler un éventuel endommagement du câble d'alimentation, de la rallonge et des flexibles avant chaque mise en service.

Montage des accessoires

- Enficher le tube d'aspiration et serrer l'écrou-raccord sur la buse de sol à la main.
- Si nécessaire, pousser la poignée sur le tube d'aspiration et la visser dans la position souhaitée.
- Enficher le coude sur le tube d'aspiration et serrer l'écrou-raccord sur le coude à la main.
- Enficher le flexible d'aspiration sur le raccord de flexible d'aspiration de l'appareil. Insérer le raccord du flexible de vaporisation sur le raccord du flexible d'aspersion et l'enclencher.
- Raccorder le flexible d'aspiration sur le coude. Raccorder et enclencher le raccord du flexible d'aspersion avec le coude.

Mettre la solution de nettoyage

⚠ **Avertissement**

Risque sanitaire, risque d'endommagement. Toutes les instructions qui sont jointes aux détergents utilisés doivent être respectées.

- Mélanger l'eau fraîche et le détergent dans un récipient propre (concentration selon les indications pour le détergent). Dissoudre le détergent dans l'eau.

Remarque : L'eau chaude (maximum 122°F/50°C) augmente l'efficacité du nettoyage. Vérifier la résistance à la température de la surface à nettoyer.

Remarque : Respecter l'environnement en utilisant le détergent avec parcimonie.

Remettre le réservoir d'eau propre à niveau

- Remplir la solution de nettoyage dans le réservoir d'eau propre. Le niveau de remplissage ne doit pas dépasser le repère "MAX".

Agent antimousse

Remarque : Lors du nettoyage des moquettes shampooinées au préalable, de la mousse apparaît dans le réservoir d'eau sale. La formation de mousse peut empêcher l'ajout d'agent antimousse.

Uniquement Puzzi 10/1 :

- Mettre de l'agent antimousse (accessoire en option) dans le réservoir d'eau sale.

Uniquement Puzzi 10/2 Adv :

- Ouvrir le réservoir d'agent antimousse.
- Ajouter de l'agent antimousse (accessoire en option).

Remplacer l'adaptateur pour tapis

- Pousser le verrouillage de la buse pour sol sur un côté.
- Basculer l'adaptateur pour tapis et le retirer.
- Mettre en place le nouvel adaptateur pour tapis et enclencher le verrouillage.

Utilisation

Mettre l'appareil en marche

- Brancher la fiche secteur.
- Appuyer sur le commutateur Aspirer pour la mise en service de la turbine.
- Interrupteur Vaporisation pour démarrer la pompe de pulvérisation.

Nettoyage

Attention

Risque d'endommagement. Contrôler l'objet à nettoyer avant la mise en oeuvre de l'appareil à un endroit discret à la résistance de la couleur et la résistance à l'eau.

- Pour vaporiser la solution de nettoyage, activer le levier sur le coude.
- Parcourir la surface à nettoyer en bandes qui se chevauchent. Tirer ce faisant la buse vers l'arrière (ne pas pousser).
- En cas d'interruptions du travail, la buse de sol peut être posée dans la poignée.

Mise hors service de l'appareil

- Couper le commutateur vaporiser et le commutateur aspirer.
- Retirer la fiche secteur.

Vidanger le réservoir d'eau sale

- Si le réservoir d'eau sale est plein, couper le commutateur Aspirer et le commutateur Vaporiser.
- Retirer le couvercle.
- Retirer le réservoir d'eau sale de l'appareil et le vider.

Vider le réservoir d'eau propre

- Mettre l'appareil hors tension.
- Actionner brièvement le levier sur le coude pour réduire la pression.
- Séparer le coude du flexible de vaporisation / aspiration.
- Accrocher le flexible d'aspiration dans le réservoir d'eau propre.
- Appuyer sur le commutateur Aspirer pour la mise en service de la turbine.

- Vider le réservoir d'eau propre par aspiration et mettre l'appareil hors service.
- Retirer le couvercle.
- Retirer le réservoir d'eau sale de l'appareil et le vider.

Rincer l'appareil

- Raccorder le coude (avec tube d'aspiration et buse) au flexible d'aspiration.
- Raccorder et enclencher le raccord du flexible d'aspersion avec le coude.
- Remplir environ 0.5 gal (2 litres) d'eau du robinet dans le réservoir d'eau propre.

Ne pas ajouter de détergent.

- Interrupteur Vaporisation pour démarrer la pompe de pulvérisation.
- Tenir la buse pour sol au-dessus d'un écoulement.
- Actionner le levier sur le coude et rincer l'appareil pendant 1 à 2 minutes.
- Mettre l'appareil hors tension.

Après chaque mise en service

- Rincer l'appareil.
- Vider le réservoir d'eau sale et le nettoyer sous l'eau courante.
- Vider le réservoir d'eau propre.
- Nettoyer l'extérieur de l'appareil à l'aide d'un chiffon humide.
- Pour éviter les gênes par émission d'odeur avant des périodes d'immobilisation prolongée, retirer la totalité de l'eau de l'appareil.
- Faire sécher complètement l'appareil : Retirer le couvercle et le poser sur le côté.

Ranger l'appareil

- Entreposer l'appareil dans un endroit sec et le sécuriser contre toute utilisation non autorisée.

Méthodes de nettoyage

Salissures normales

- Vaporiser la solution de nettoyage et l'aspirer dans une étape de travail.

Remarque : Une aspiration ultérieure renouvelée sans vaporisation raccourcit la durée de séchage.

Forte salissure ou tâches

- Appliquer la solution de nettoyage avec turbine hors service et laisser agir pendant 10 à 15 minutes.
- Nettoyer la surface comme avec la saleté normale.
- Pour encore améliorer le résultat du nettoyage, si nécessaire, rincer une nouvelle fois la surface à l'eau claire chaude.

Nettoyage de meubles capitonnés

- Uniquement Puzzi 10/1 :
Mettre la buse manuelle à la place de la buse pour sol.
- Doser plus faiblement le détergent pour les matières délicates et asperger la surface à une distance de 7.9 in (200 mm) environ. N'aspirer qu'ensuite.

Conseils de nettoyage

- Vaporiser sur les endroits fortement salis au préalable et laisser agir la solution de nettoyage 5 à 10 minutes.
- Travailler toujours de la lumière vers l'ombre (de la fenêtre vers la porte).
- Toujours travailler de la surface nettoyée vers la surface à nettoyer.
- Plus le revêtement est sensible (ponts orientaux, berbère, tissu de rembourrage), plus les concentrations de détergent doivent être faibles.
- La moquette avec chanvre peut se rétracter avec le travail humide et laisser s'écouler de la teinte.
- Brosser les tapis à poils longs dans le sens du poil après le nettoyage en état humide (par ex. avec un balai-brosse ou un balai à tapis).

- Une imprégnation avec Care Tex RM 762 après le nettoyage humide empêche une nouvelle salissure rapide du revêtement textile.
- Ne parcourir ou disposer des meubles sur la surface nettoyée qu'après le séchage pour empêcher les points d'apui ou les tâches de rouille.

Produit détergent


Nettoyage des tapis et rembourrages	Poudre RM 760
	RM 760 Tabs
	Remplir avec du RM 764 fluide
Démoussage	RM 761
Imprégnation du tapis	RM 762

Pour plus d'informations, veuillez demander la fiche d'information produit et la feuille de données de sécurité UE du détergent correspondant.

Transport

Attention

*Risque de blessure et d'endommagement !
Respecter le poids de l'appareil lors du transport.*

Illustration 

- ➔ Pour le transport, poser le flexible d'aspiration sur la poignée et poser le tuyau d'aspiration / de vaporisation sur l'appareil.
Enrouler le câble secteur et l'accrocher au crochet de câble.
- ➔ Sécuriser l'appareil contre les glissements ou les basculements selon les directives en vigueur lors du transport dans des véhicules.

Entreposage

Attention

*Risque de blessure et d'endommagement !
Prendre en compte le poids de l'appareil à l'entreposage.*

Cet appareil doit uniquement être entreposé en intérieur.

Entretien et maintenance

Danger

Risque d'électrocution.

Avant d'effectuer tout type de travaux sur l'appareil, le mettre hors service et débrancher la fiche électrique.

Nettoyer le tamis à peluches

- ➔ Retirer le couvercle.
- ➔ Retirer le réservoir d'eau sale de l'appareil.
- ➔ Nettoyer le filtre anti-peluches régulièrement avec une brosse.

Nettoyer le tamis de l'eau du robinet

- ➔ Dévisser le filtre d'eau du robinet,
- ➔ Nettoyer régulièrement le filtre d'eau du robinet sous l'eau courante.

Nettoyer l'injecteur.

- ➔ Dévisser l'écrou-raccord.
- ➔ Nettoyer le nez de buse.

Assistance en cas de panne

Danger

Risque d'électrocution.

- *Avant d'effectuer tout type de travaux sur l'appareil, le mettre hors service et débrancher la fiche électrique.*
- *Seul le service après-vente autorisé est habilité à contrôler et réparer les composants électriques.*

L'appareil ne fonctionne pas

- ➔ Vérifier la prise et le fusible de l'alimentation électrique.
- ➔ Vérifier le câble d'alimentation et la fiche secteur de l'appareil.
- ➔ Allumer l'appareil.

Il ne sort pas d'eau à la buse

- Remplir le réservoir d'eau propre.
- Vérifier le positionnement correct des raccords sur le flexible de vaporisation.
- Nettoyer ou remplacer le nez de buse.
- Nettoyer le filtre dans le réservoir d'eau propre.
- Pompe de pulvérisation défectueuse, consulter le service après-vente.

Acier de vaporisation d'un côté

- Nettoyer le nez de buse.

Puissance d'aspiration insuffisante

- Vérifier le positionnement correct du couvercle.
- Nettoyer le joint sur le couvercle et la surface d'appui sur l'appareil.
- Nettoyer le tamis à peluches.
- Contrôler si les flexibles d'aspiration sont bouchés, en cas de besoin nettoyer.

Pompe de pulvérisation bruyante

- Remettre le réservoir d'eau propre à niveau.

Forte formation de mousse dans le réservoir d'eau sale

- Mettre de l'agent antimousse dans le réservoir d'eau sale ou remplir le réservoir d'agent antimousse.

Service après-vente

Si la panne ne peut être réparée, l'appareil doit être contrôlé par le service après-vente.


Accessoires et pièces de rechange

- Utiliser uniquement des accessoires et des pièces de rechange autorisés par le fabricant. Des accessoires et des pièces de rechange d'origine garantissent un fonctionnement sûr et parfait de l'appareil.
- Une sélection des pièces de rechange utilisées le plus se trouve à la fin du mode d'emploi.
- Vous trouverez plus d'informations sur les pièces de rechange dans le menu Service du site www.kaercher.com.

Garantie

Dans chaque pays, les conditions de garantie en vigueur sont celles publiées par notre société de distribution responsable. Les éventuelles pannes sur l'appareil sont réparées gratuitement dans le délai de validité de la garantie, dans la mesure où celles-ci relèvent d'un défaut matériel ou d'un vice de fabrication. En cas de recours en garantie, adressez-vous à votre revendeur ou au service après-vente agréé le plus proche munis de votre preuve d'achat.

Caractéristiques techniques

		Puzzi 10/1	Puzzi 10/2 Adv
Tension du secteur	V	120	120
Fréquence	Hz	1~ 60	1~ 60
Type de protection	--	IPX4	IPX4
Classe de protection		II	II
Courant nominal	A	9	9
Débit d'air (max.)	CFM (l/s)	114 (54)	114 (54)
Dépression (max.)	mm (kPa)	2240 (22.0)	2240 (22.0)
Puissance de la pompe de vaporisation	W	40	80
Pression de vaporisation	psi (MPa)	14.5 (0.1)	29.0 (0.2)
Pression de vaporisation (maxi.)	psi (MPa)	43.5 (0.3)	43.5 (0.3)
Débit de vaporisation	gal/min (l/min)	0.26 (1)	0.53 (2)
Température de la solution de nettoyage (maxi)	°F (°C)	122 (+50)	122 (+50)
Plein d'eau propre	gal (l)	2.6 (10)	2.6 (10)
Plein d'eau sale	gal (l)	2.4 (9)	2.4 (9)
Longueur x largeur x hauteur	in (mm)	27.8 x 12.5 x 17.0 (705 x 320 x 435)	27.8 x 12.5 x 17.0 (705 x 320 x 435)
Poids de fonctionnement typique	lbs (kg)	23.6 (10.7)	25.1 (11.4)
Température ambiante (max.)	°F (°C)	104 (+40)	104 (+40)
Valeurs définies selon EN 60335-2-68			
Niveau de pression sonore L_{pA}	dB(A)	73	73
Incertitude K_{pA}	dB(A)	1	1

Câble d'alimentation	SJTW 2/16 AWG	
	Référence	Longueur de câble
CUL	6.647-967.0	25 ft (7.5 m)

INSTRUCCIONES IMPORTANTES DE SEGURIDAD

ANTES DE LA PRIMERA PUESTA EN MARCHA DEL APARATO DEBERÁN OBSERVARSE LOS SIGUIENTES PUNTOS

- Si al desembalar el aparato comprobara Vd. algún daño o desperfecto en el mismo atribuible al transporte, rogamos se dirija inmediatamente al distribuidor en donde adquirió el aparato.
- Extraiga la totalidad de las piezas y accesorios del aparato que se encuentran en el recipiente del mismo o en la caja de cartón del embalaje.
- El aparato no es apropiado para la aspiración de polvos nocivos para la salud, como por ejemplo amianto. Para este tipo de aplicaciones deberá ponerse en contacto con su Distribuidor o la Delegación Nacional de Kärcher.
- Operar el dispositivo solo con un enchufe de toma a tierra. Consultar los datos técnicos para el fusible principal necesario.

Al utilizar esta máquina eléctrica es imprescindible observar algunas precauciones básicas, incluidas las siguientes: Este dispositivo está diseñado para uso comercial.

- 1 DESCONECTAR EL DISPOSITIVO DE LA CORRIENTE antes de quitar la cubierta, realizar trabajo de mantenimiento y cuando no esté en uso.
- 2 NO DEJAR EL APARATO sin vigilancia, mientras esté enchufado.
- 3 SIEMPRE VERIFIQUE QUE EL CABLE ELECTRICO no esté dañado o desperfecto antes de usar el aparato.
- 4 NO TIRAR DEL CABLE PARA TRANSPORTAR EL DISPOSITIVO. No usar el cable como asa. Mantener el cable alejado de superficies calientes o fuego. No cerrar la puerta con el cable o pasar el cable por esquinas afiladas.
- 5 NO EXPONGA EL CABLE A LO CALIENTE NI A ACEITES. Para prevenir un tropiezo, no deje el cable suelto después de usarlo.
- 6 NO PASAR LA MÁQUINA POR ENCIMA DEL CABLE.
- 7 PONGA EL SELECTOR EN LA POSICION DE <<OFF>> antes de desenchufar el aparato.
- 8 NO DESENCHUFE EL CABLE DE UN TIRON (Jalón). Para desenchufarle agarre la clavija (enchufe) no el cable.
- 9 NO AGARRE LA CLAVIJA (ENCHUFE) CON LAS MANOS MOJADAS.
- 10 EL CABLE ELECTRICO (O LA CLAVIJA) sólo debe ser reemplazado por un representante de un Centro de Servicio Autorizado. SE NINGUNA MANERA DEBE INTENTAR LA REPARACION DEL CABLE ELECTRICO.
- 11 PARA PREVENIR CHOQUES ELECTRICOS, no exponga la herramienta a la lluvia. Guárdela en un lugar seco.
- 12 SOLO USE EL APARATO COMO ESTA RECOMENDADO EN ESTE MANUAL. También use únicamente los accesorios recomendados.
- 13 MANTENGA ALEJADOS EL CABELLO (PELO), ROPA, ALHAJAS SUELTAS, DEDOS o cualquier otra parte del cuerpo, de las aberturas y partes móviles de la máquina.
- 14 NO CUBRA NI OBSTRUYA LAS ABERTURAS. Mantenga las aberturas libres de pelusa, pelo, polvo y cualquier cosa que limite la circulación del aire.
- 15 NO ACOGE NINGUNA COSA QUE SE ESTE QUEMANDO, ardiendo sin llama o echando humo, tal como cigarrillos (cigarros), fósforos (cerillos) o cenizas calientes.
- 16 NO ASPIRE MATERIALES COMBUSTIBLES O EXPLOSIVOS, tal como carbón de piedra, cereales (o su polvo) u otra sustancia fina y combustible.

- 17 NO ASPIRE MATERIALES COMBUSTIBLES, peligrosos, tóxicos o carcinógenos por ejemplo: gasolina, gasoil (petróleo para diesel), acetona, diluyente para pintura, aceite combustible, ácidos y disolventes no diluidos, pesticidas y amianto (asbesto).
- 18 NO PERMITA QUE EL APARATO SE USE COMO JUGUETE. Mantener alejado de los niños.
- 19 NO DEJAR LA MÁQUINA SIN SUPERVISIÓN cuando esté en funcionamiento.
- 20 NO USAR SI EL CABLE; EL ENCHUFE O LA MÁQUINA ESTÁN EN MAL ESTADO. Si el aparato se ha caído, dañado, dejado al aire libre o caído al agua, solicite a un servicio autorizado que lo examine.
- 21 USAR SIEMPRE GAFAS DE SEGURIDAD cuando se opere la máquina.
- 22 USE EXTREMA PRECAUCION al limpiar escaleras.
- 23 ¡ESTAR ATENTO! No usar la máquina si está cansado o bajo la influencia de alcohol, drogas o medicación.
- 24 No usar para recoger líquidos inflamables o combustible, como gasolina, ni utilizar el aparato en áreas donde puedan estar presentes.
- 25 Para reducir el riesgo de incendio, no usar líquidos inflamables ni combustibles para limpiar el suelo.
- 26 Este objeto viene con aislamiento doble, usar sólo piezas de repuesto idénticas. Véase las instrucciones de mantenimiento para unidades de aislamiento doble.

CONSERVE ESTAS INSTRUCCIONES

Este dispositivo está diseñado para uso comercial.

INSTRUCCIONES DE SEGURIDAD

Mantenimiento del aparato dotados de doble aislamiento

DOBLE AISLAMIENTO	
-------------------	--

Un aparato dotado de doble aislamiento incorpora dos sistemas de aislamiento en lugar de la puesta a tierra. Es decir, el aparato dotado de doble aislamiento no incorporan ningún conductor ni dispositivo de puesta a tierra ni hay que acoplar a adicionalmente a los mismos una puesta a tierra. Los trabajos de mantenimiento de un aparato dotado de un sistema de doble aislamiento requieren unos conocimientos particularmente amplios y completos de dicho dispositivo y del aparato en cuestión, debiendo ser ejecutados exclusivamente por personal especializado del Servicio Técnico Postventa Oficial. En caso de tener que sustituir piezas o componentes defectuosos del aparato de doble aislamiento, las piezas de repuesto deberán ser idénticas a las piezas defectuosas.



Antes del primer uso de su aparato, lea este manual original, actúe de acuerdo a sus indicaciones y guárdelo para un uso posterior o para otro propietario posterior.

- El incumplimiento de las instrucciones de uso y de las indicaciones de seguridad puede provocar daños en el aparato y poner en peligro al usuario y a otras personas.
- En caso de daños de transporte informe inmediatamente al fabricante.

Índice de contenidos

Protección del medio ambiente	ES	... 1
Símbolos del manual de instrucciones	ES	... 1
Uso previsto	ES	... 1
Resumen	ES	... 2
Puesta en marcha	ES	... 2
Manejo	ES	... 3
Métodos de limpieza	ES	... 4
Transporte	ES	... 5
Almacenamiento	ES	... 5
Cuidados y mantenimiento	ES	... 5
Ayuda en caso de avería	ES	... 5
Accesorios y piezas de repuesto	ES	... 6
Garantía	ES	... 6
Datos técnicos	ES	... 7

Protección del medio ambiente



Los materiales empleados para el embalaje son reciclables y recuperables. No tire el embalaje a la basura doméstica y entréguelo en los puntos oficiales de recogida para su reciclaje o recuperación.



Los aparatos viejos contienen materiales valiosos reciclables que deberían ser entregados para su aprovechamiento posterior. Evite el contacto de baterías, aceites y materias semejantes con el medio ambiente. Por este motivo, entregue los aparatos usados en los puntos de recogida previstos para su reciclaje.

Indicaciones sobre ingredientes (REACH)

Encontrará información actual sobre los ingredientes en:

www.kaercher.com/REACH

Símbolos del manual de instrucciones

Peligro

Para un peligro inminente que acarrea lesiones de gravedad o la muerte.

Advertencia

Para una situación que puede ser peligrosa, que puede acarrear lesiones de gravedad o la muerte.

Precaución

Para una situación que puede ser peligrosa, que puede acarrear lesiones leves o daños materiales.

Uso previsto

Este aparato de extracción por pulverización está diseñado para el uso comercial como dispositivo de limpieza en húmedo para moquetas, de acuerdo con este manual de instrucciones así como en las indicaciones de seguridad para dispositivos de limpieza con cepillos y dispositivos pulverizadores.

Resumen

Guía rápida

Figura A

- 1 Conectar la manguera de pulverización/aspiración al codo.
Conectar la manguera de pulverización/aspiración al aparato.
- 2 Preparar la solución de detergente,
Rellenar el depósito de agua limpia
- 3 Seleccionar modo de servicio
- 4 Limpieza
- 5 Vaciar el depósito de agua limpia
- 6 Vaciar el depósito de agua sucia
- 7 Llenar el depósito de agua limpia (sin detergente)
Enjuagar el aparato
- 8 Limpiar el filtro de pelusas,
Limpiar el filtro de agua fresca
- 9 Dejar secar el aparato

Elementos del aparato

Figura B

- 1 Boquilla manual para limpieza de tapi-
cerías (solo Puzzi 10/1)
- 2 Gancho porta cables
- 3 Adaptador para accesorios (Homeba-
se)
- 4 Soporte para accesorios
- 5 Cable de conexión a la red
- 6 Guía rápida
- 7 Depósito de agua limpia
- 8 Filtro de agua fresca
- 9 Interruptor pulverizar
- 10 Interruptor aspirar
- 11 Carcasa
- 12 Placa de características
- 13 Rodillo de dirección
- 14 Toma de manguera pulverizadora
- 15 Toma de la manguera de aspiración
- 16 Recipiente producto desespumante
(solo Puzzi 10/2 Adv)
- 17 Tapa
- 18 Compartimento para pastillas de deter-
gente (solo Puzzi 10/2 Adv)
- 19 Asa del equipo
- 20 Boquilla para suelos para la limpieza de
moquetas

- 21 Adaptador para alfombras
- 22 Desbloqueo de la boquilla para suelos
- 23 Tubo de aspiración
- 24 Orificio de la boquilla
- 25 tuerca de racor
- 26 Mango
- 27 Codo
- 28 Palanca del codo
- 29 Manguera pulverizadora
- 30 Manguera de aspiración
- 31 Manguera pulverizadora/de aspiración
- 32 Recipiente para agua sucia, extraíble
- 33 Asa del recipiente de agua sucia
- 34 Junta en la tapa
- 35 Filtro de pelusas

Puesta en marcha

- Comprobar si tienen daños el cable de alimentación, cable alargador y man-
gueras antes de cada puesta en mar-
cha.

Montaje de los accesorios

- Insertar el tubo de absorción en la bo-
quilla para suelos y apretar con la mano
la tuerca de racor de la boquilla para
suelos.
- Si es necesario, deslice el mango en el
tubo de absorción y apriételo en la po-
sición deseada.
- Colocar el codo en el tubo de absorción
y apretar con la mano la tuerca de racor
del codo.
- Insertar la manguera de aspiración en
la toma para manguera de aspiración
del aparato.
Insertar el acoplamiento de la manguera
pulverizadora en la toma de manguera
pulverizadora del equipo y encajarlo.
- Conectar la manguera de aspiración
con el codo.
Conectar el acoplamiento de la man-
guera pulverizadora con el codo y en-
cajarlo.

Preparar la solución de detergente

⚠ **Advertencia**

Peligro para la salud, peligro de daños. Se deben respetar todas las indicaciones que incluyen los detergentes.

- Mezclar agua limpia y detergente en un recipiente limpio (concentración de acuerdo con las indicaciones para el detergente).
Disolver el detergente en agua.

Indicación: El agua caliente aumenta (máx. 122°F/50°C) el efecto de limpieza. Comprobar la resistencia a la temperatura de la superficie a limpiar.

Indicación: Utilice los detergentes con moderación para no perjudicar el medio ambiente.

Rellenar el depósito de agua limpia

- Introducir la solución con detergente en el depósito de agua limpia. El nivel no debe superar la marca "MAX".

Producto de quitar la espuma

Indicación: Al limpiar moquetas que hayan sido tratadas con champú previamente, se forma espuma en el depósito de agua sucia. La formación de espuma se puede evitar agregando producto desespumante. Solo Puzzi 10/1:

- Introducir producto desespumante (accesorio especial) en el depósito de agua sucia.

Solo Puzzi 10/2 Adv:

- Abrir el recipiente para producto desespumante.
- Llenar con producto desespumante (accesorio especial).

Cambiar el adaptador de alfombras

- Pulsar en un lateral el desbloqueo de la boquilla para suelos.
- Girar hacia fuera y extraer el adaptador de alfombras.
- Insertar y encajar el nuevo adaptador para alfombras.

Manejo

Conexión del aparato

- Enchufe la clavija de red.
- Pulsar el interruptor aspirar para conectar la turbina de aspiración.
- Pulsar el interruptor de pulverizar para conectar la bomba de pulverización.

Limpieza

Precaución

Peligro de daños en la instalación. Controlar el objeto a limpiar antes de utilizar el aparato para ver si el color resiste y si es resistente al agua.

- Para pulverizar solución de detergente, activar la palanca del codo.
- Pasar por la zona a limpiar en tramos que se solapen. Al hacerlo no tire de la boquilla hacia atrás (no deslizar).
- Durante las interrupciones de trabajo se puede colocar la boquilla para suelos en el asa.

Desconexión del aparato

- Desconectar los interruptores pulverizar y aspirar.
- Extraer el enchufe de la red.

Vaciar el depósito de agua sucia

- Si el depósito de agua sucia está lleno, desconectar el interruptor aspirar y el interruptor pulverizar.
- Quitar la tapa.
- Sacar el depósito de agua sucia del aparato y vaciarlo.

Vaciar el depósito de agua limpia

- Desconexión del aparato
- Activar brevemente la palanca del codo para disminuir la presión.
- Separar el codo de la manguera de pulverizar/aspirar.
- Colgar la manguera de aspiración en el depósito de agua limpia.
- Pulsar el interruptor aspirar para conectar la turbina de aspiración.

- Aspirar el depósito de agua limpia hasta que esté vacío y desconectar el aparato.
- Quitar la tapa.
- Sacar el depósito para agua sucia del aparato y vaciarlo.

Enjuagar el aparato

- Conectar el codo con la manguera de aspiración (con tubo de aspiración y boquilla).
- Conectar el acoplamiento de la manguera pulverizadora con el codo y encajarlo.
- Rellenar el depósito de agua fresca con aprox. 0.5 gal (2 litros) de agua limpia. **No añadir detergente.**
- Pulsar el interruptor de pulverizar para conectar la bomba de pulverización.
- Colocar la boquilla para suelos sobre un desagüe.
- Activar la palanca del codo y enjuagar el aparato de 1 a 2 minutos.
- Desconexión del aparato

Después de cada puesta en marcha

- Enjuagar el aparato.
- Vaciar el recipiente de agua sucia y limpiar bajo agua corriente.
- Vaciar el depósito de agua limpia.
- Limpiar la carcasa por fuera con un paño húmedo.
- Para evitar los olores, vaciar toda el agua del aparato antes de largas paradas.
- Dejar secar bien el aparato: extraer la tapa o colocar hacia el lateral.

Almacenamiento del aparato

- Coloque el aparato en un cuarto seco y protéjalo frente a un uso no autorizado.

Métodos de limpieza

Suciedad normal

- Pulverizar solución con detergente y aspirarla en un sólo paso.

Indicación: Una nueva aspiración reduce el tiempo de secado.

Gran suciedad o manchas

- Aplicar la solución de limpieza con la turbina de aspiración desconectada y dejar actuar de 10 a 15 minutos.
- Limpiar la superficie como si la suciedad fuese normal.
- Para mejorar el resultado de limpieza, volver a limpiar la superficie con agua limpia y caliente.

Limpieza de tapicerías

- Solo Puzzi 10/1:
Colocar la boquilla manual en lugar de la boquilla para suelos.
- En el caso de tejidos delicados, utilizar una dosis más baja de detergente y pulverizar la superficie a una distancia de aprox. 7.9 in (200 mm). A continuación, simplemente aspirar.

Consejos de limpieza

- Pulverizar primero las zonas que estén muy sucias y dejar actuar la solución de detergente de 5 a 10 minutos.
- Trabajar siempre desde la luz a la sombra (desde la ventana a la puerta).
- Trabajar siempre de la zona limpia a la sucia.
- Cuanto más delicado sea el pavimento (puentes orientales, berebere, tapicería), menor debe ser la concentración de detergente.
- Las moquetas con yute pueden encoger al trabajar en húmedo y decolorar.
- Las alfombras de pelo alto se deben cepillar en la dirección del pelo en estado húmedo (p.ej. con una escoba para pelo o un frotador).
- Si se impregna con Care Tex RM 762 después de la limpieza en húmedo se evita que se vuelva a ensuciar rápidamente el tejido.
- Pasar por encima de la superficie que ha sido limpiada o poner muebles encima cuando esté seca para evitar puntos de presión o manchas de óxido.

Detergente

Limpieza de moquetas y tapicerías	RM 760 Polvo
	RM 760 Tabs
	RM 764 Líquido
Quitar la espuma	RM 761
Impregnación de moquetas	RM 762

Para obtener más información, solicitar la hoja de información del producto y la hoja de datos de seguridad de la UE del detergente correspondiente.

Transporte

Precaución

¡Peligro de lesiones y daños! Respetar el peso del aparato para el transporte.

Figura 

- Para transportar colocar el tubo de aspiración sobre la empuñadura y colocar la manguera de pulverización/aspiración en el aparato.
Enrollar el cable de alimentación y colgar del gancho del cable.
- Al transportar en vehículos, asegurar el aparato para evitar que resbale y vuelque conforme a las directrices vigentes.

Almacenamiento

Precaución

¡Peligro de lesiones y daños! Respetar el peso del aparato en el almacenamiento.

Este aparato sólo se puede almacenar en interiores.

Cuidados y mantenimiento

Peligro

Peligro de lesiones por descarga eléctrica. Antes de efectuar cualquier trabajo en el aparato, hay que desconectar de la red eléctrica.

Limpie el filtro de pelusas

- Quitar la tapa.
- Sacar el recipiente de agua sucia del aparato.
- Limpiar el filtro de pelusas regularmente con un cepillo.

Limpiar el filtro de agua fresca

- Desenroscar el filtro de agua limpia.
- Limpiar el filtro de agua limpia regularmente debajo del chorro de agua corriente.

Limpiar las boquillas

- Desatornillar la tuerca de racor.
- Limpiar el orificio de la boquilla.

Ayuda en caso de avería

Peligro

- *Peligro de lesiones por descarga eléctrica. Antes de efectuar cualquier trabajo en el aparato, hay que desconectar de la red eléctrica.*
- *En caso de avería, la reparación de las piezas eléctricas sólo debe efectuarla el servicio técnico autorizado.*

El aparato no funciona

- Comprobar la clavija y el seguro del suministro de corriente.
- Comprobar el cable y el enchufe del aparato.
- Conexión del aparato

No sale agua de la boquilla

- Llenar el depósito de agua limpia.
- Comprobar que los acoplamientos están bien colocados en la manguera de pulverización.
- Limpiar o cambiar el orificio de la boquilla.
- Limpie el tamiz del depósito de agua limpia.
- Si la bomba pulverizadora está averiada, avisar al servicio técnico.

Chorro de pulverización por un solo lado

- Limpiar el orificio de la boquilla.

Potencia de aspiración insuficiente

- Comprobar si la tapa está bien colocada.
- Limpiar la junta de la tapa y superficie de apoyo del aparato.
- Limpiar el filtro de pelusas.
- Comprobar si los tubos de aspiración están atascados, si es necesario limpiar.

Bomba pulverizadora ruidosa

- Rellenar el depósito de agua limpia.

Mucha producción de espuma en el depósito de agua sucia

- Echar producto desespumante en el recipiente de agua sucia o llenar el recipiente para producto desespumante.

Servicio de atención al cliente

Si la avería no se puede solucionar el aparato debe ser revisado por el servicio técnico.


Accesorios y piezas de repuesto

- Sólo deben emplearse accesorios y piezas de repuesto originales o autorizados por el fabricante. Los accesorios y piezas de repuesto originales garantizan el funcionamiento seguro y sin averías del aparato.
- Podrá encontrar una selección de las piezas de repuesto usadas con más frecuencia al final de las instrucciones de uso.
- En el área de servicios de www.kaercher.com encontrará más información sobre piezas de repuesto.

Garantía


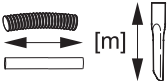

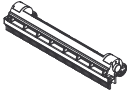
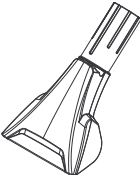
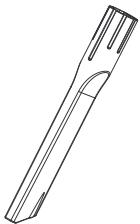
En todos los países rigen las condiciones de garantía establecidas por nuestra empresa distribuidora. Las averías del aparato serán subsanadas gratuitamente dentro del periodo de garantía, siempre que se deban a defectos de material o de fabricación. En un caso de garantía, le rogamos que se dirija con el comprobante de compra al distribuidor donde adquirió el aparato o al servicio al cliente autorizado más próximo a su domicilio.

Datos técnicos



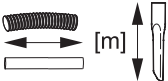

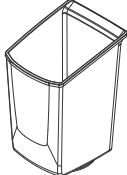



		Puzzi 10/1	Puzzi 10/2 Adv
Tensión de red	V	120	120
Frecuencia	Hz	1~ 60	1~ 60
Categoría de protección	--	IPX4	IPX4
Clase de protección		II	II
Corriente nominal	A	9	9
Cantidad de aire (máx.)	CFM (l/s)	114 (54)	114 (54)
Depresión (máx.)	mm (kPa)	2240 (22.0)	2240 (22.0)
Potencia de la bomba pulverizadora	W	40	80
Presión de pulverización	psi (MPa)	14.5 (0.1)	29.0 (0.2)
Presión de pulverización (máx.)	psi (MPa)	43.5 (0.3)	43.5 (0.3)
Cantidad de pulverización	gal/min (l/min)	0.26 (1)	0.53 (2)
Temperatura de la solución de limpieza (máx.)	°F (°C)	122 (+50)	122 (+50)
Cantidad de llenado de agua limpia	gal (l)	2.6 (10)	2.6 (10)
Cantidad de llenado de agua sucia	gal (l)	2.4 (9)	2.4 (9)
Longitud x anchura x altura	in (mm)	27.8 x 12.5 x 17.0 (705 x 320 x 435)	27.8 x 12.5 x 17.0 (705 x 320 x 435)
Peso de funcionamiento típico	lbs (kg)	23.6 (10.7)	25.1 (11.4)
Temperatura ambiente (máx.)	°F (°C)	104 (+40)	104 (+40)
Valores calculados conforme a la norma EN 60335-2-68			
Nivel de presión acústica L_{pA}	dB(A)	73	73
Inseguridad K_{pA}	dB(A)	1	1

Cable de conexión a la red	SJTW 2/16 AWG	
	No. de pieza	Longitud del cable
CUL	6.647-967.0	25 ft (7.5 m)

Zubehör / Accessories / Accessoires

		\varnothing [mm]	 [m]	 [mm]
	4.762-014.0 Hartflächen- adapter, hard surface adapter, adaptateur pour surface rigide			240
	4.130-001.0 *	DN 32		110
	4.130-010.0	DN 32	0,25	

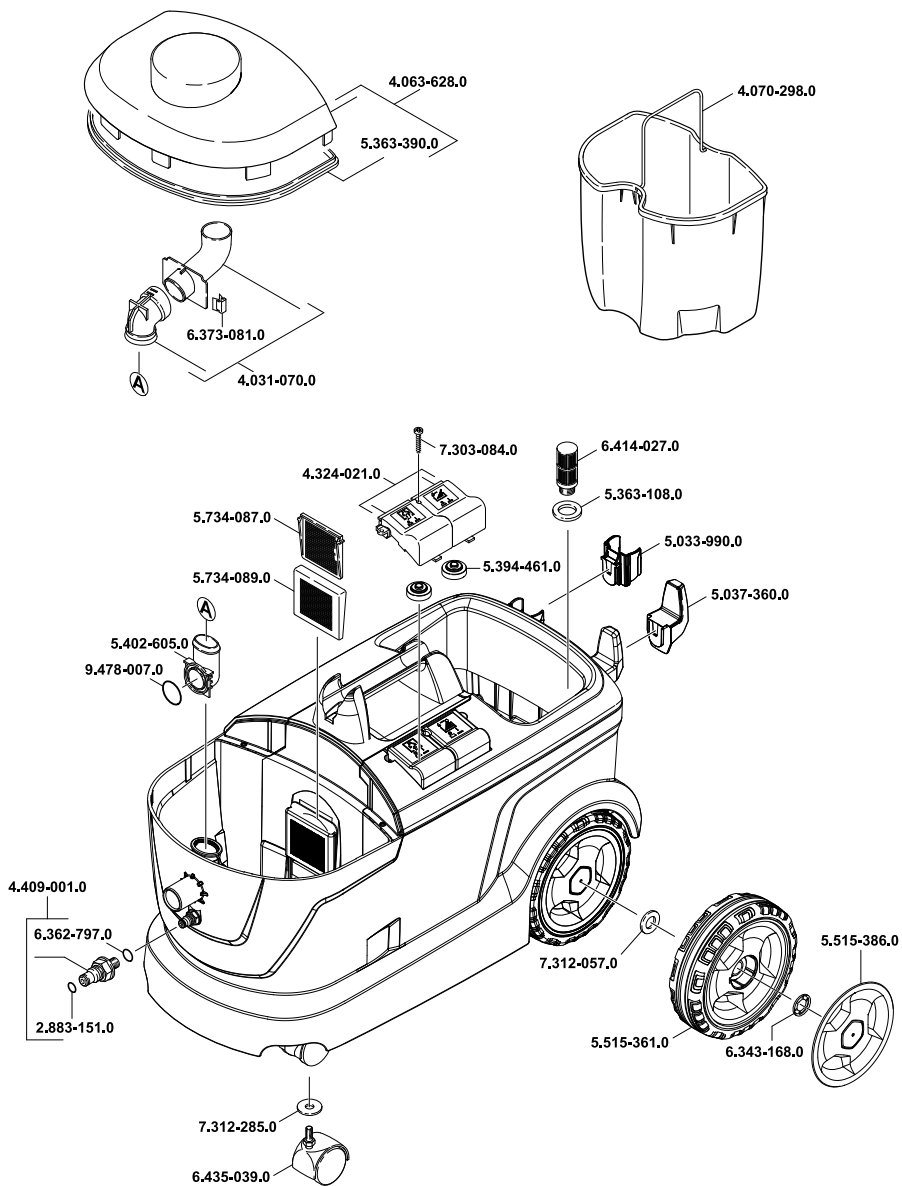
Zubehör / Accessories / Accessoires

		 [mm]	 [m]	 [mm]
	5.070-010.0 Behälter für Reinigungsmittel, container for detergent, réservoir pour détergent			
	6.980-078.0	DN 20-26		
	6.980-077.0			
	6.980-080.0			

DN = Konus-Verbindung, cone connection, connexion de cône

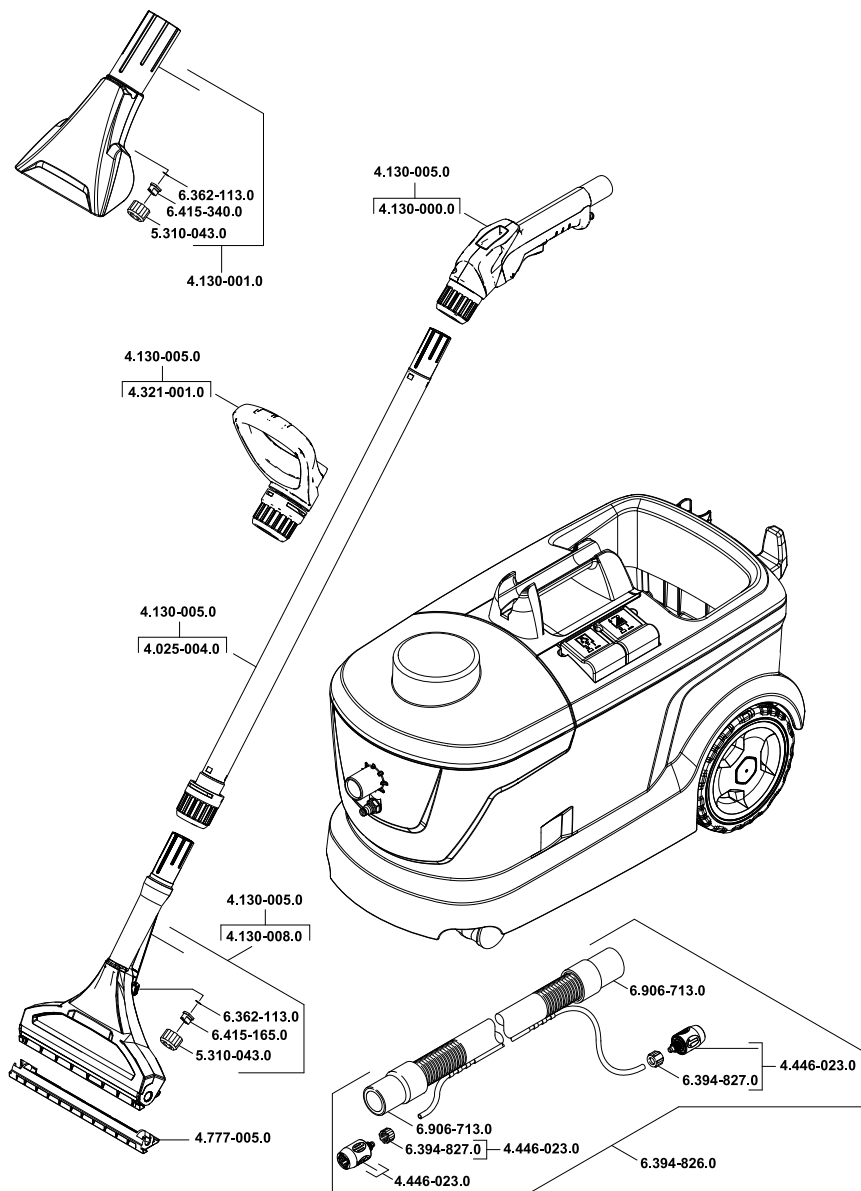
* = nur Puzzi 10/2 Adv, Puzzi 10/2 Adv only, uniquement Puzzi 10/2 Adv

Puzzi 10/1



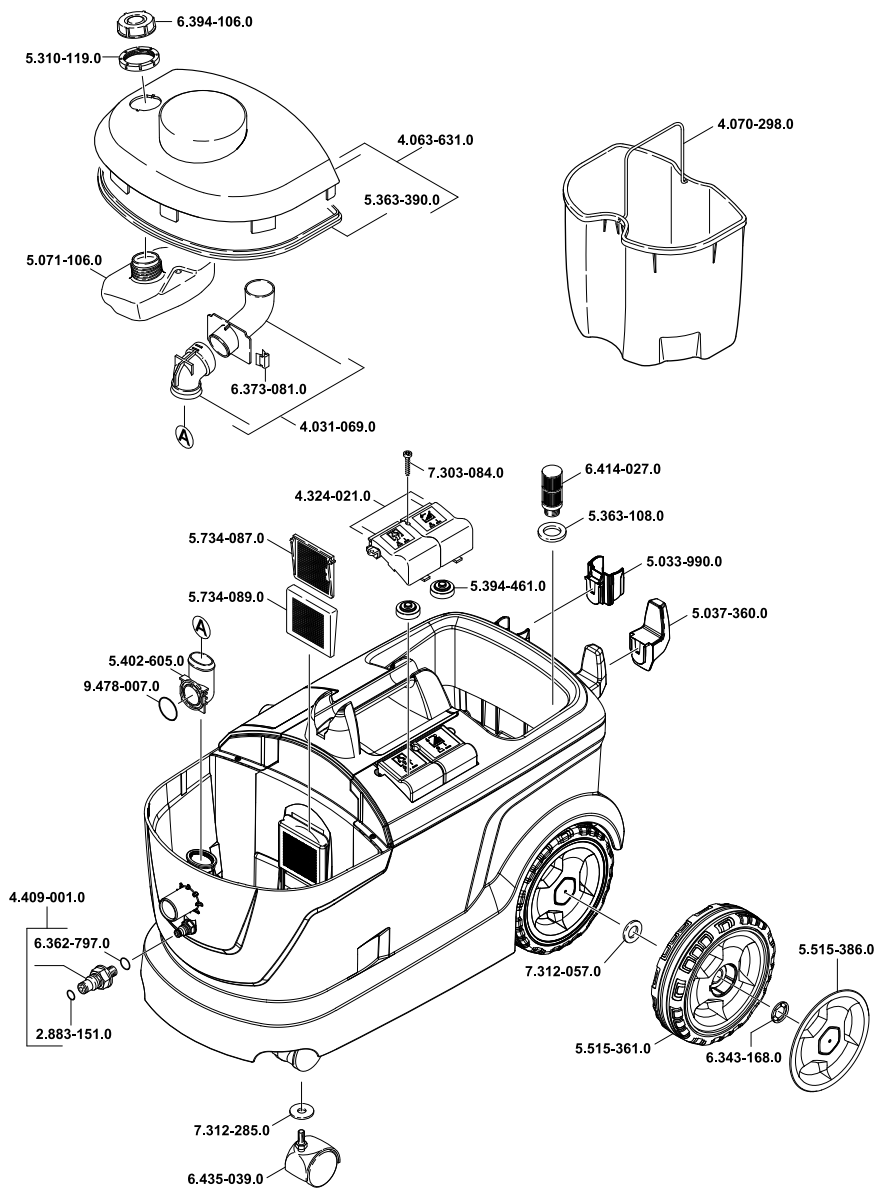
06.02.2014 5.966-332.0

Puzzi 10/1



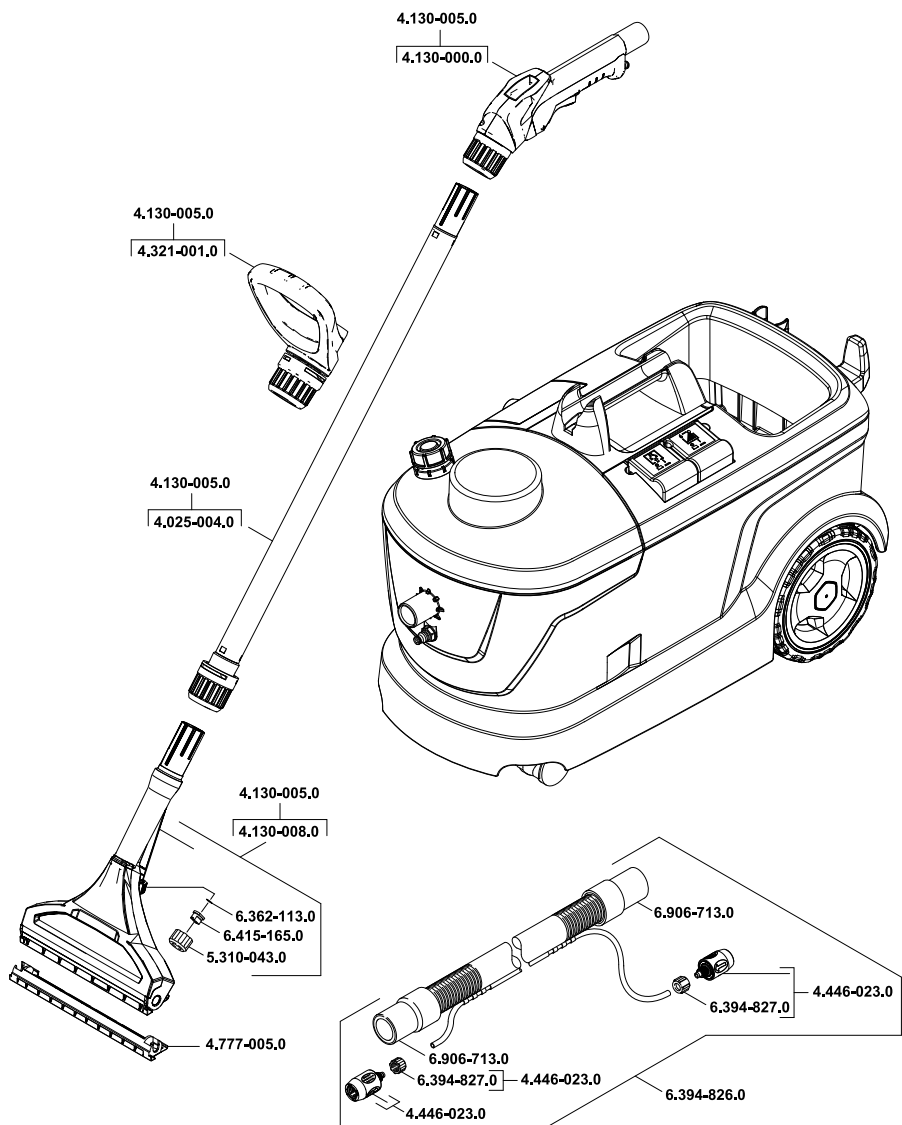
06.02.2014 5.966-332.0

Puzzi 10/2 Adv



17.02.2014 5.966-332.0

Puzzi 10/2 Adv



27.02.2014 5.966-332.0



<http://www.kaercher.com/dealersearch>

